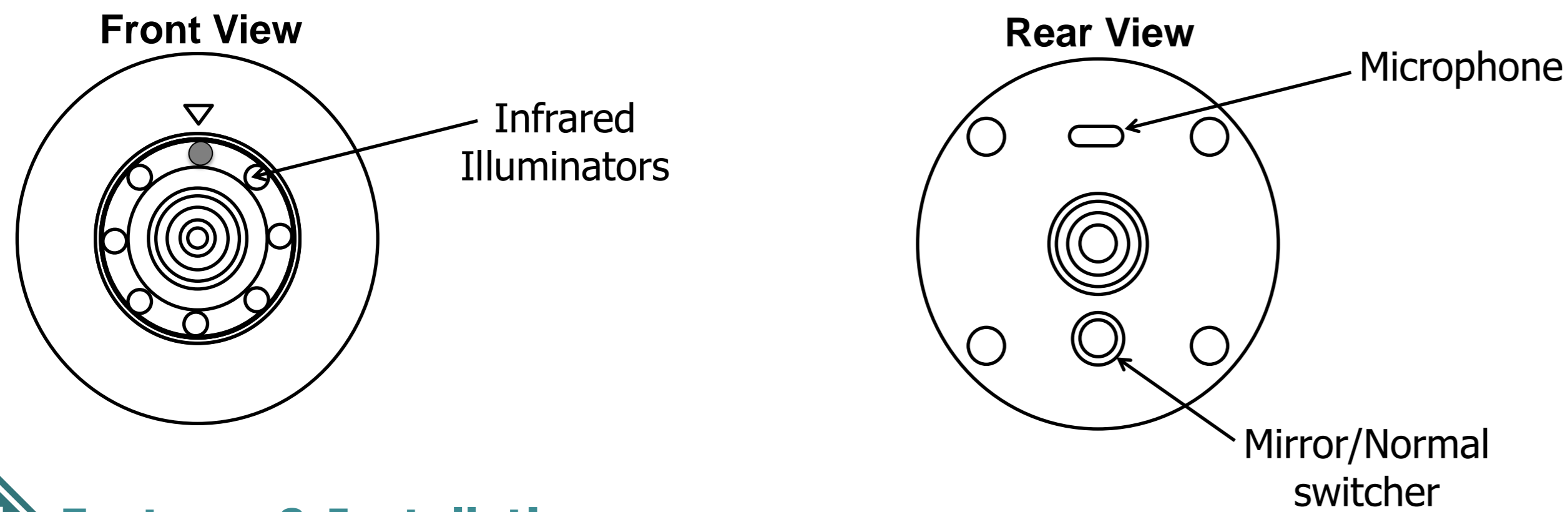


# MTB95CD Autoheated Color Camera

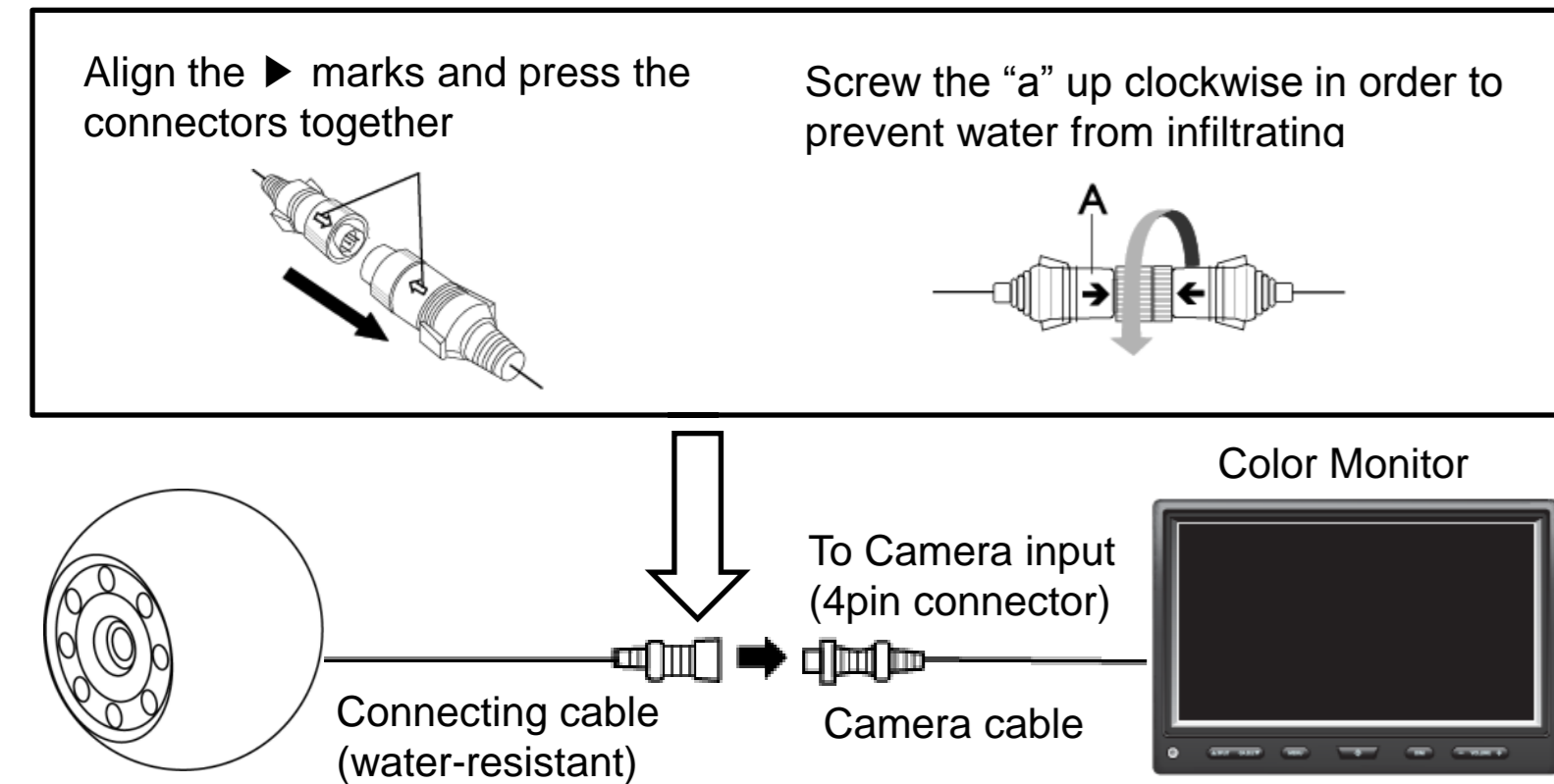
- High Resolution CCD camera (470,000 pixels)
- Mirror & Normal image switching
- Automatic heating when the temperature is below +10°C
- Built-in Microphone
- 130° Viewing Angle (Diagonal)



## 1 Features & Installation

Attach the supplied mounting bracket to vehicle.  
Adjust the angle of the camera and fasten the screws firmly.

### Wiring to monitor

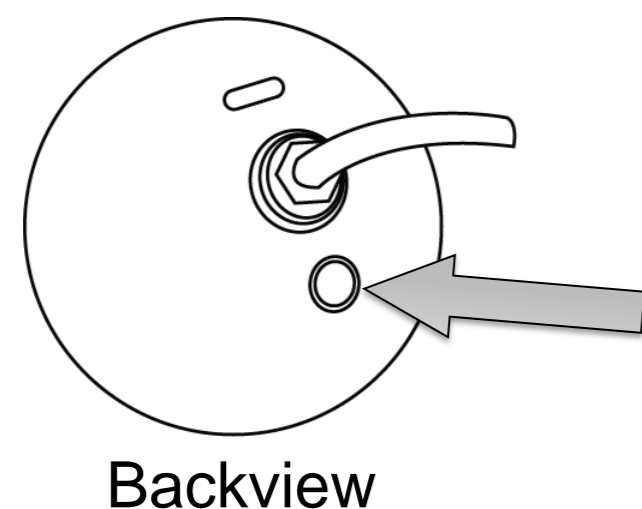


#### CAUTION!!

1. Before making the connection, disconnect the ground terminal from the battery to avoid short circuits.
2. A damaged cable can cause defects to the camera; avoid this! Run the cable in natural directions.
3. Use acid-free vaseline/grease between the connectors & screws before fixation for a guaranteed long lifetime.

### Normal/Mirror image switching

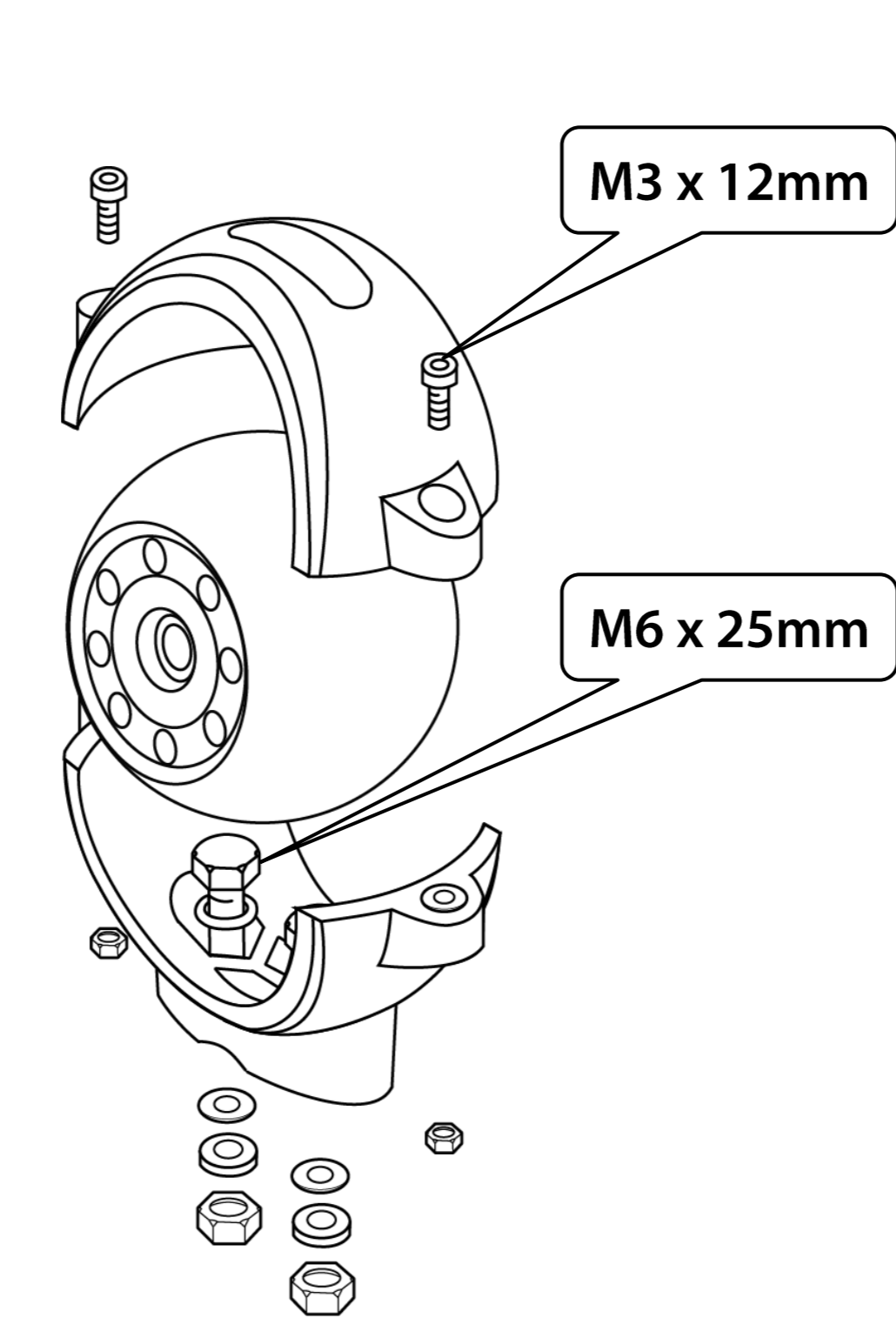
Push the Mirror/Normal switcher with a dull pin when the picture needs to be changed.



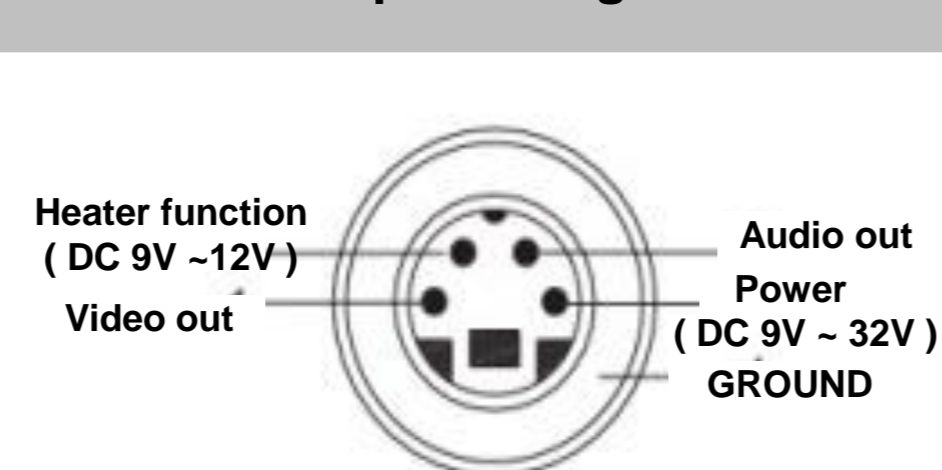
#### CAUTION!!

Do not use a sharp tool, knife or pin at the NORMAL/MIRROR switcher, Because this may cause defects.

### Camera Assembly



#### Camera pin configuration



## 2 Specifications

<b>IMAGE SENSOR</b>	1/3" Sony Super HAD Color CCD
<b>EFFECTIVE PIXELS</b>	PAL : 470,000 pixels
<b>RESOLUTION</b>	520TV lines
<b>SYNCHRONIZING SYSTEM</b>	Internal
<b>VIDEO OUTPUT</b>	75 Ohms, 1.0Vp-p Composite
<b>AUDIO INPUT</b>	High Sensitive C-Microphone
<b>S/N RATIO</b>	More than 48dB
<b>REQUIRED ILLUMINATION</b>	0.05 Lux Minimum
<b>POWER CONSUMPTION</b>	DC 12V / Max. 110mA (heater ON 350mA)
<b>OPERATING VOLTAGE RANGE</b>	DC 9V ~ DC 32V (Powered by monitor)
<b>FIELD OF VIEW</b>	130°
<b>OPERATING TEMPERATURE</b>	-30°C to +50°C
<b>DIMENSIONS BALL</b>	Φ52mm
<b>DIMENSIONS BRACKET</b>	73mm x 64mm
<b>WEIGHT</b>	Approx. 160g
<b>ACCESSORIES</b>	M6 x 25mm Stainless machine screw (2) M3 x 12mm Stainless machine screw (2) M5 x 16mm Stainless tapping screw (2) Nylon Nut (2) Camera Bracket (1) Rubber O-Ring (2) Allen wrench 3mm (1)