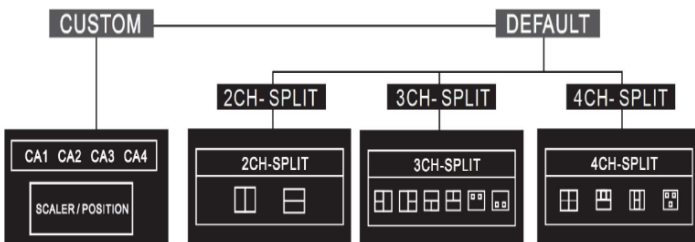




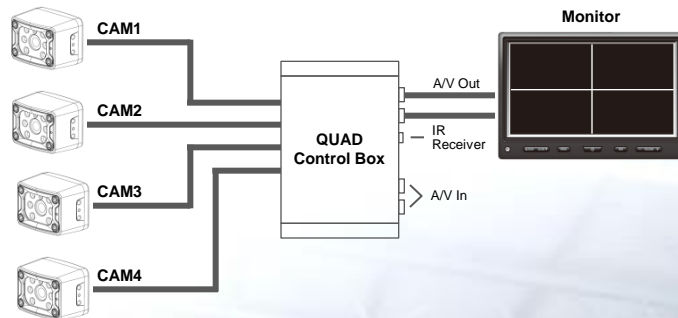
## FEATURES

- Multi-purpose Camera Control Box for various applications
- Free Input Voltage (DC 10V ~ 32V)
- PAL / NTSC Compatibility
- 4 Camera Inputs / 1 AV Input / 1 AV Out
- Motorized Shutter-camera support
- Camera heater support
- Multiple Display Mode (Single, Split, Triple, Quad, PiP)
- Automatic Picture Display
- 4 Trigger inputs
- Speedswitch function (activation by tacho signal)
- Auto Scan function
- Auto Power function
- On Screen Display (OSD)
- Easy Setting by Remote Control
- IR receiver with built-in status LED
- 12V DC OUT  
(to activate any monitor with Trigger Input, max.100mA)

## DISPLAY MODE



## CONNECTION



## SPECIFICATIONS

Power Input	DC 10V ~ 32V
Power Consumption	Max 25 Watt.
Video System	PAL / NTSC compatible
Sync. System	Internal
CA Input (4 CH)	4-pin Mini DIN, 1Vp-p, 75Ω (MXN standard)
A/V Output (1 CH)	RCA, Composite Video Signal, 75Ω, 1Vp-p
A/V Input (1 CH)	RCA, Composite Video Signal, 75Ω, 1Vp-p
Operating Temperature	-25°C ~ 70°C
Vibration proof	5.5 G
Dimensions	148(W) X 102(D) X 27(H) mm
Weight	Approx. 500g
Supplied accessories	Power cable (1), RCA Cable (1), Screw Kits (1), Bracket jack (2), Remote Controller (1), IR receiver for Remote Controller (1), Instruction manual (1)